

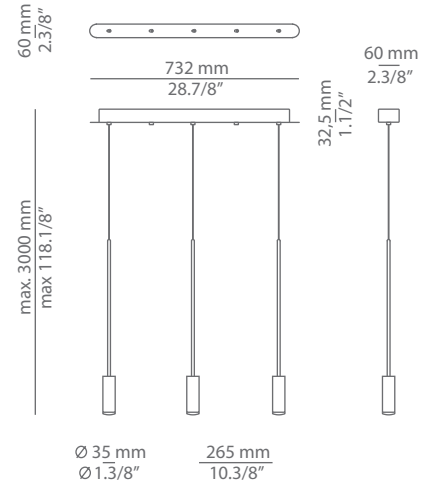
VOLTA T-3534C

linear surface compositions

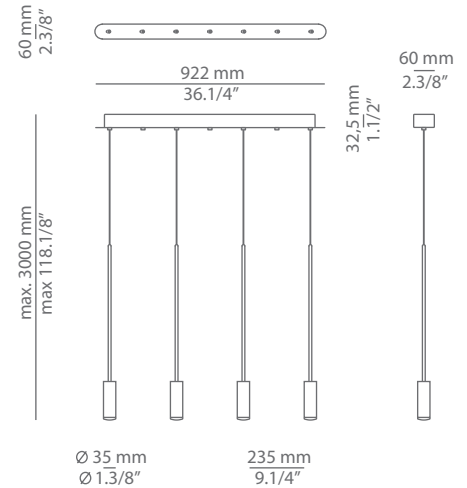
Date	Type
Project	
Location	
Model #	Quantity
Specifier	

Many possible configurations with T-3534C

Code	Composition includes	Temperature															
L73S.3S	<ul style="list-style-type: none"> 1 linear canopy 113415XX1 3 units of T-3534C 1 driver 671000034 / Dimmable Triac Add up to 2 additional Volta 	<ul style="list-style-type: none"> T-3534C-W (2700K / 725 lumens) T-3534C-M (3000K / 763 lumens) 															
	<table border="1"> <thead> <tr> <th>Canopy</th> <th>Body</th> <th>Head</th> </tr> </thead> <tbody> <tr> <td>26 BLK Black</td> <td>26 BLK Black</td> <td>26 BLK Black</td> </tr> <tr> <td>71 WH White</td> <td></td> <td>61 S GLD Satin Gold</td> </tr> <tr> <td></td> <td>71 WH White</td> <td>71 WH White</td> </tr> <tr> <td></td> <td>CUSTOM</td> <td>CUSTOM</td> </tr> </tbody> </table>	Canopy	Body	Head	26 BLK Black	26 BLK Black	26 BLK Black	71 WH White		61 S GLD Satin Gold		71 WH White	71 WH White		CUSTOM	CUSTOM	
Canopy	Body	Head															
26 BLK Black	26 BLK Black	26 BLK Black															
71 WH White		61 S GLD Satin Gold															
	71 WH White	71 WH White															
	CUSTOM	CUSTOM															



Code	Composition includes	Temperature															
L92S.4S	<ul style="list-style-type: none"> 1 linear canopy 113415XX3 4 units of T-3534C 2 drivers 671000034 / Dimmable Triac Add up to 3 additional Volta 	<ul style="list-style-type: none"> T-3534C-W (2700K / 725 lumens) T-3534C-M (3000K / 763 lumens) 															
	<table border="1"> <thead> <tr> <th>Canopy</th> <th>Body</th> <th>Head</th> </tr> </thead> <tbody> <tr> <td>26 BLK Black</td> <td>26 BLK Black</td> <td>26 BLK Black</td> </tr> <tr> <td>71 WH White</td> <td></td> <td>61 S GLD Satin Gold</td> </tr> <tr> <td></td> <td>71 WH White</td> <td>71 WH White</td> </tr> <tr> <td></td> <td>CUSTOM</td> <td>CUSTOM</td> </tr> </tbody> </table>	Canopy	Body	Head	26 BLK Black	26 BLK Black	26 BLK Black	71 WH White		61 S GLD Satin Gold		71 WH White	71 WH White		CUSTOM	CUSTOM	
Canopy	Body	Head															
26 BLK Black	26 BLK Black	26 BLK Black															
71 WH White		61 S GLD Satin Gold															
	71 WH White	71 WH White															
	CUSTOM	CUSTOM															



Code	Composition includes	Temperature															
L165S.6S	<ul style="list-style-type: none"> 1 linear canopy 113415XX7 6 units of T-3534C 2 drivers 671000034 / Dimmable Triac Add additional Volta up to 5 	<ul style="list-style-type: none"> T-3534C-W (2700K / 725 lumens) T-3534C-M (3000K / 763 lumens) 															
	<table border="1"> <thead> <tr> <th>Canopy</th> <th>Body</th> <th>Head</th> </tr> </thead> <tbody> <tr> <td>26 BLK Black</td> <td>26 BLK Black</td> <td>26 BLK Black</td> </tr> <tr> <td>71 WH White</td> <td></td> <td>61 S GLD Satin Gold</td> </tr> <tr> <td></td> <td>71 WH White</td> <td>71 WH White</td> </tr> <tr> <td></td> <td>CUSTOM</td> <td>CUSTOM</td> </tr> </tbody> </table>	Canopy	Body	Head	26 BLK Black	26 BLK Black	26 BLK Black	71 WH White		61 S GLD Satin Gold		71 WH White	71 WH White		CUSTOM	CUSTOM	
Canopy	Body	Head															
26 BLK Black	26 BLK Black	26 BLK Black															
71 WH White		61 S GLD Satin Gold															
	71 WH White	71 WH White															
	CUSTOM	CUSTOM															

